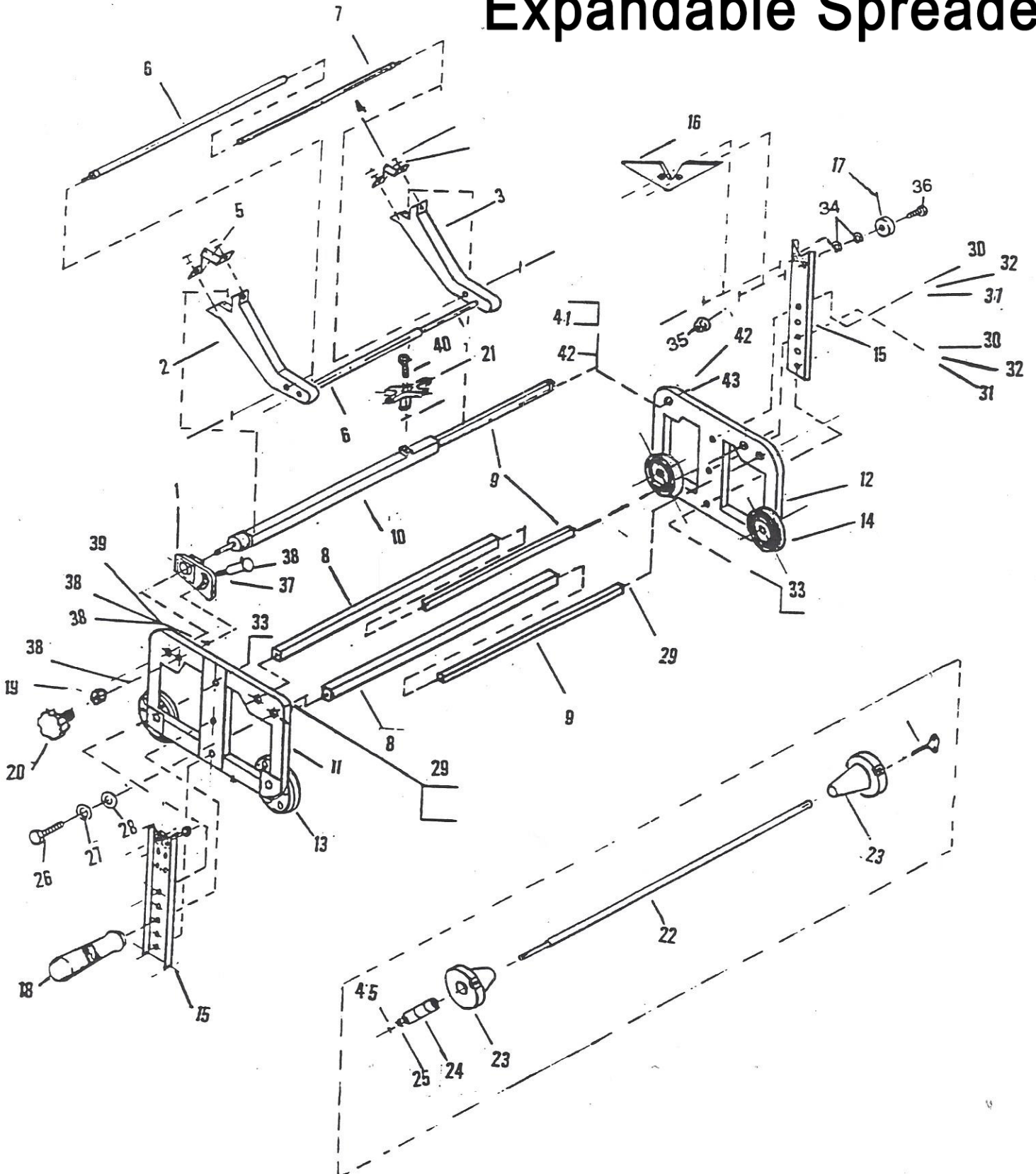




UNICRAFT
Corporation

ES72 Sprinter Expandable Spreader



Item	Part No.	Description	QTY.
1			
2	S1311	Arm for dancer bar, LEFT	1
3	S1312	Arm for dancer bar, RIGHT	1
4	S1441	Clamp bracket, large	1
5	S1442	Clamp bracket, small	1
6	S1431	External dancer tube	1
7	S1432	Internal dancer tube	1
8	S1421	Tube assembly, square, external	2
9	S1422	Tube assembly, square, internal	3
10	S1423	Tube assembly, square, external, dancer bar	1
11	S1401	Frame, side – RIGHT	1
12	S1402	Frame, side – LEFT	1
13	S1210	Wheel, steel, for track	1
14	S1215	Wheel, rubber	2
15	S1320	Uprights, standard, 21" each	2
15	S1222	Uprights, tall, over 21" each (OPTIONAL)	-
16	S1324	Batwing, bar guide	1
17	S1325	Ball bearings for uprights	4
18	S1410	Handle, push	1
19	S1331	Spacer	1
20	S1330	Knob, securing arm	1
21	S1450	Width adjustment lock	1
22	S1110-**	Cloth bar, solid steel, 3/4" (specify length)	1
22	S1111-**	Cloth bar, tubular galvanized steel (OPTIONAL)	-
22	S1114-**	Cloth bar, heavy duty, 1-1/4" (OPTIONAL)	-
22	S1115-**	Cloth bar, tubular galvanized steel 1-1/4" (OPTIONAL)	-
23	S1120	Cone for cloth bar, 3/4"	2
23	S1125	Cone for cloth bar, 1-1/4" (OPTIONAL)	-
24	S1116	Handle, Cloth bar, for edge control	1
25	S1117	Nut	



UNICRAFT
Corporation

3640 Northwest 52nd Street, Miami, FL 33142
Tel (305) 633-4470 Fax (305) 633-4866
unisew@bellsouth.net - www.unicraftcorp.com